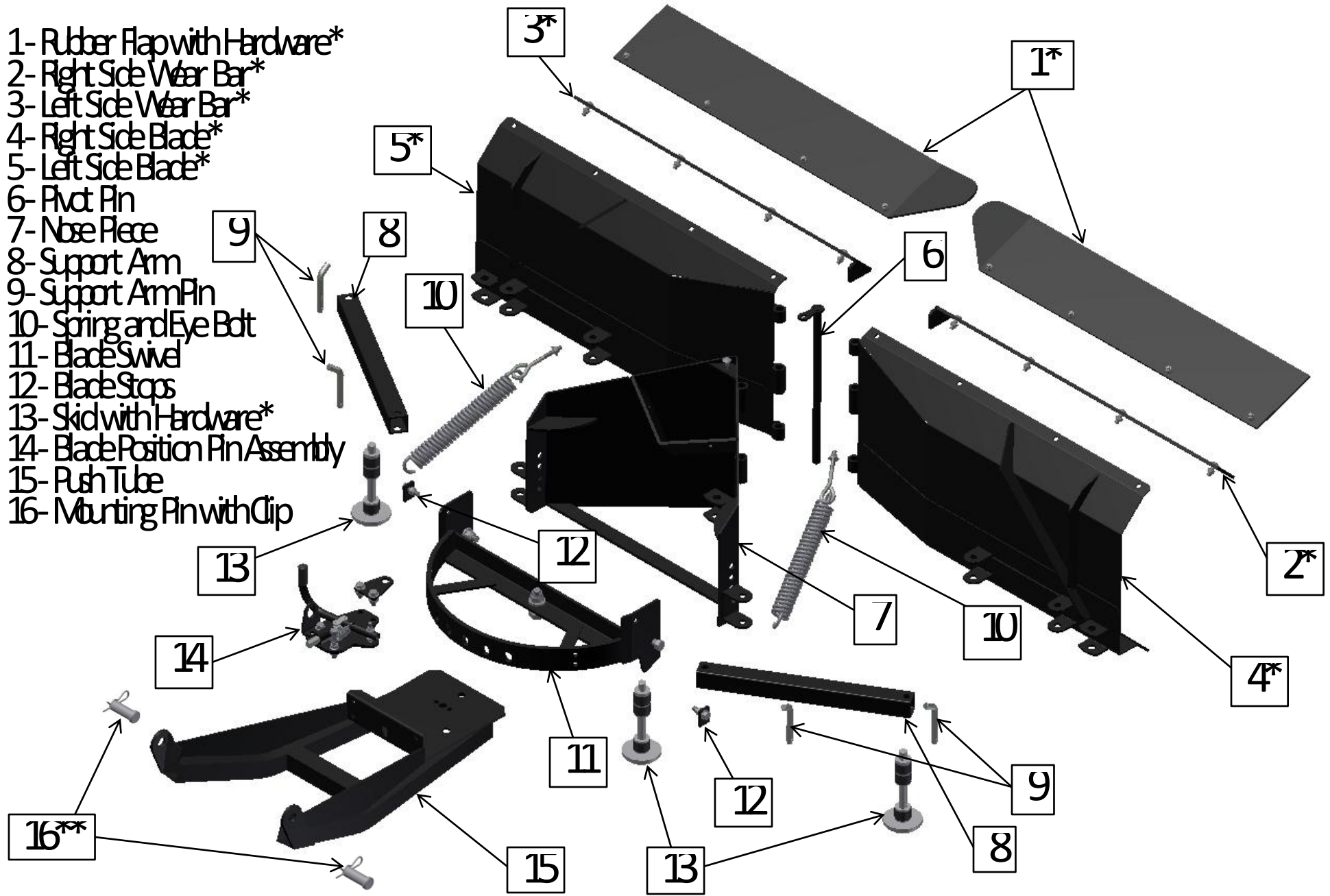


2805 Push Tube and "V" Blade Replacement Parts

- 1- Rubber Flap with Hardware*
- 2- Right Side Wear Bar*
- 3- Left Side Wear Bar*
- 4- Right Side Blade*
- 5- Left Side Blade*
- 6- Pivot Pin
- 7- Nose Piece
- 8- Support Arm
- 9- Support Arm Pin
- 10- Spring and Eye Bolt
- 11- Blade Swivel
- 12- Blade Stops
- 13- Skid with Hardware*
- 14- Blade Position Pin Assembly
- 15- Push Tube
- 16- Mounting Pin with Clip



*Mounting Pins with Clips are packaged with UTV Plow Mounts. They are shown here as replacements.

*See 2805 Push Tube and Blade Replacement Parts List, for available sizes and options.